

## Mounting instruction for **K20 vert. installation with support profile**

### substructure

The installation of the basic substructure must be carried out according to project-specific, static calculation.

Follow the parameters from the Approval Z-33.1-1175 or BBA Agrément Certificat 13-4980

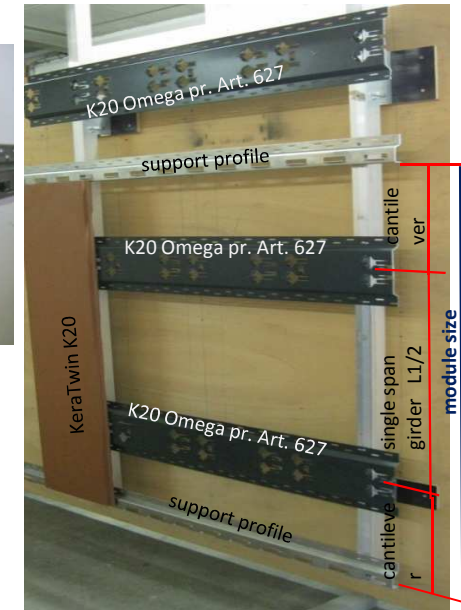
- The profiles of the basic substructure have to be mounted perpendicularly and in a flush way
- The omega system rails have to be precisely aligned vertically and fastened at the pre-cut slot holes at the edges by means of screws\* or rivets\*\*

The vert. distance between the Omega profiles depends to the module size of the panels = single span girder (L1/2) with canilever (L1/4) of both ends

- distance of the support profile = module size(panel length + 8mm)
- insert the KeraTwin panels tightly into the substructure

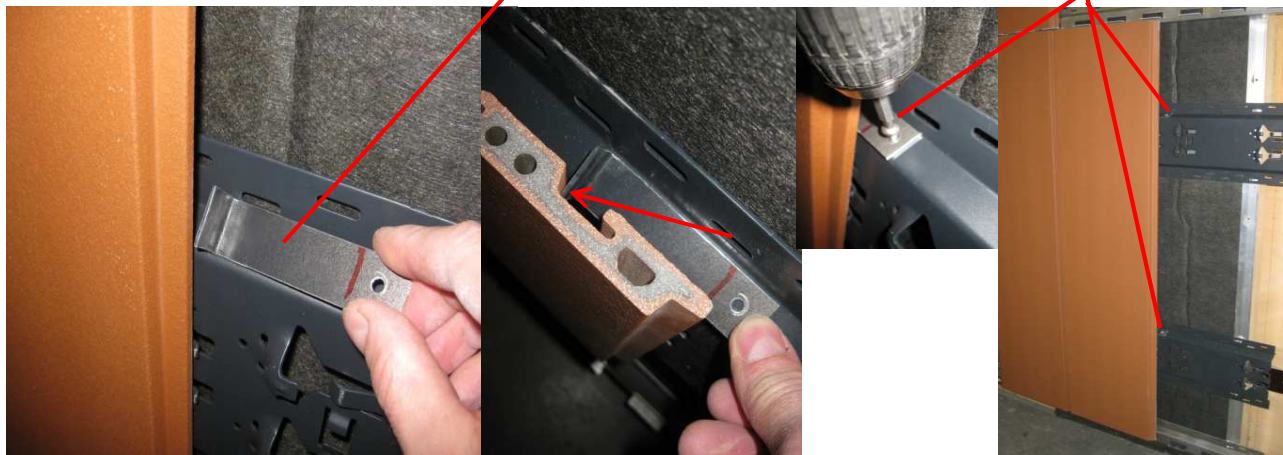
### **Important!**

- lock the KeraTwin panel with the secure angle on both Omega profiles

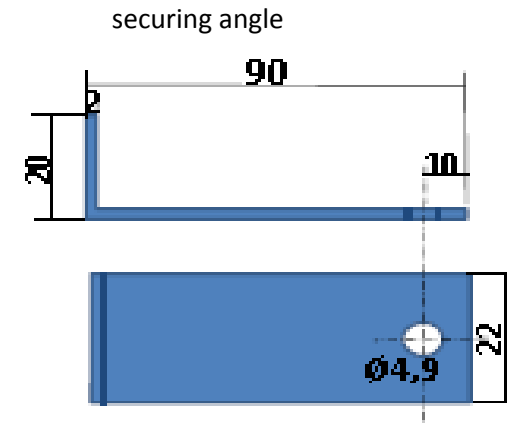
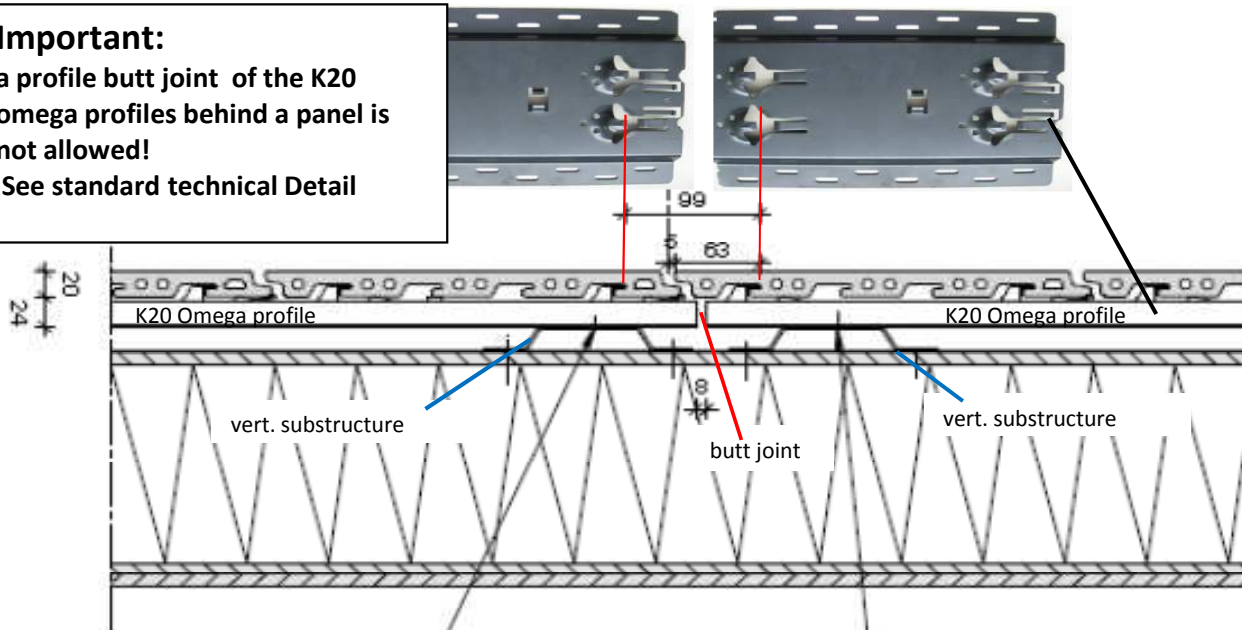


\*A4 stainless steel screw 4.8x16mm, Article 659

\*\* Al blind rivet 4.8x10mm, Article 658



**Important:**  
 a profile butt joint of the K20  
 omega profiles behind a panel is  
 not allowed!  
 See standard technical Detail



replacement of a panel

