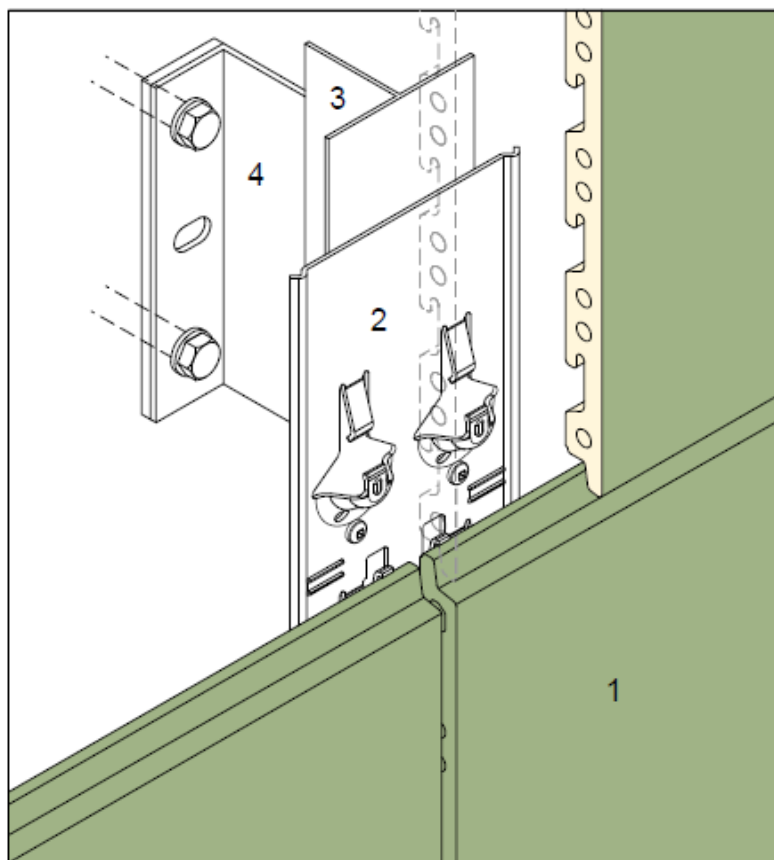


# Installation K20

## KeraTwin® K 20

fixing with system profile

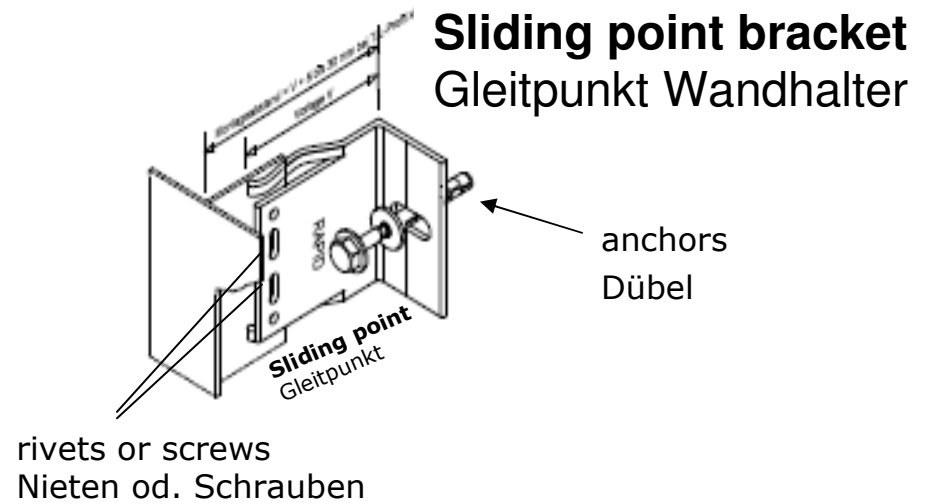
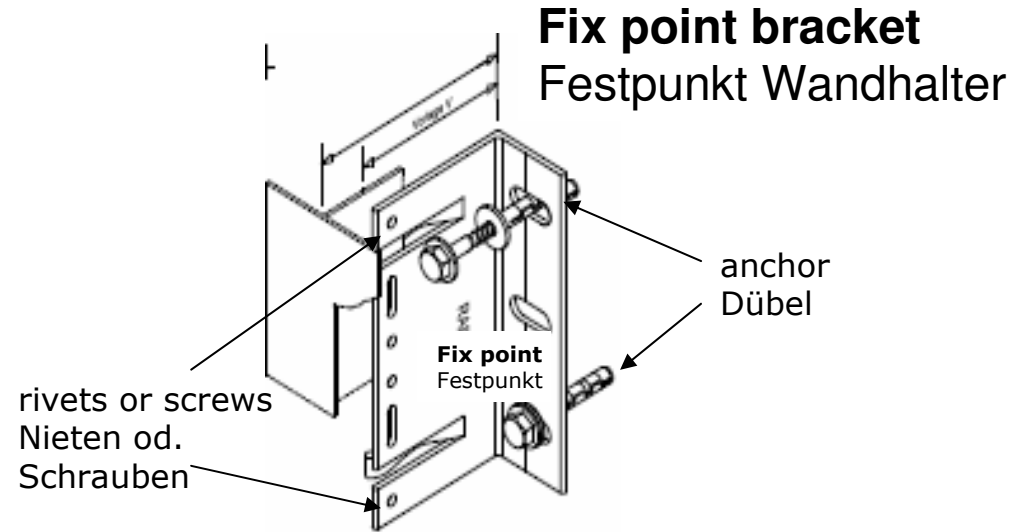


# Installation K20

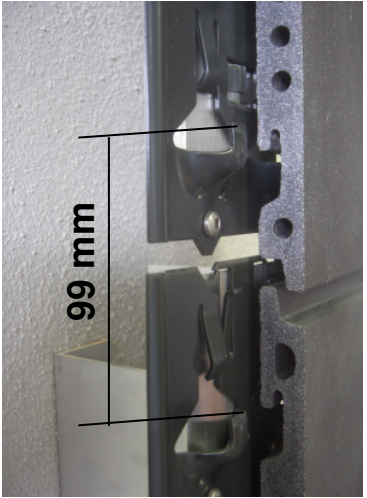
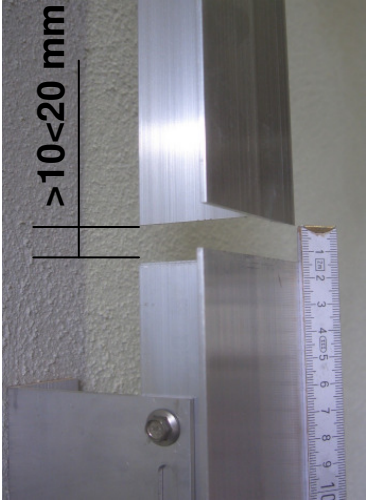
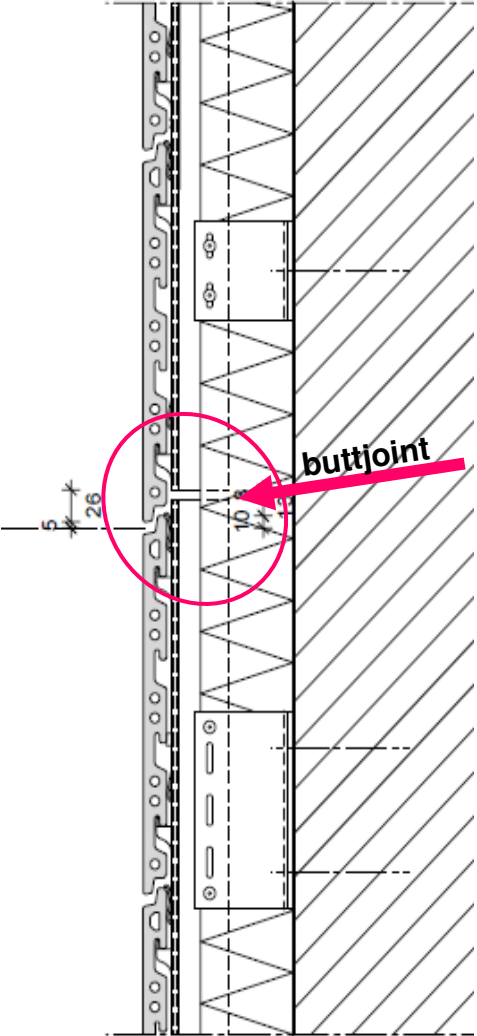
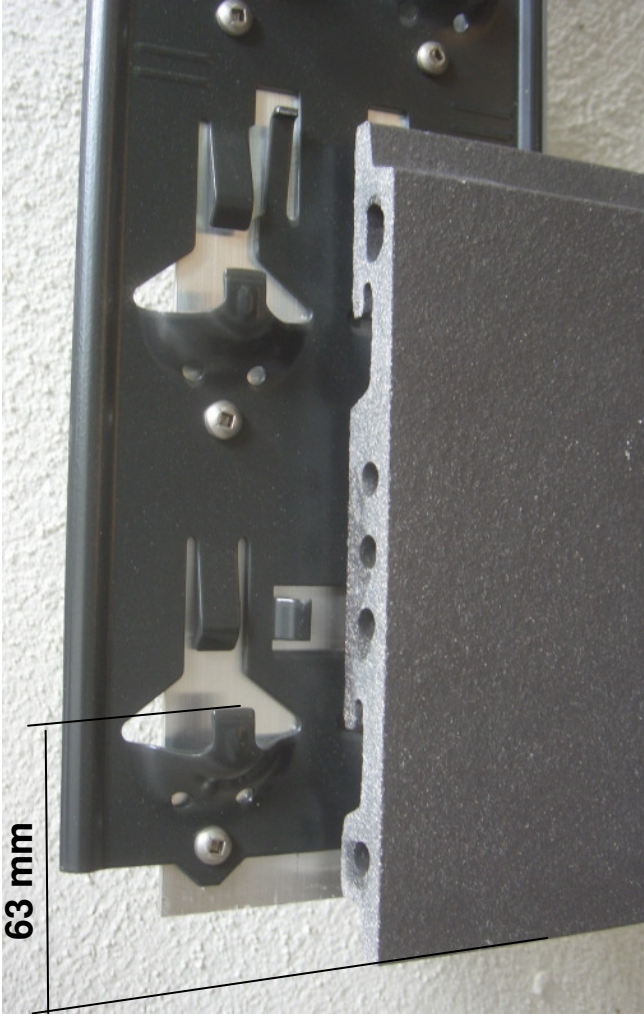
basic substructure



T-profile width  $\geq 80\text{mm}$



# Installation K20



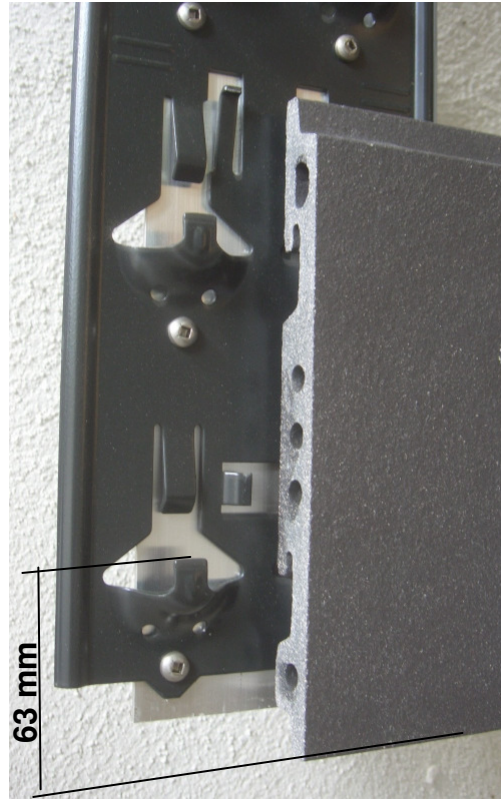


# Installation K20

put on system profile



fixing in prepared holes underneath **every** hook

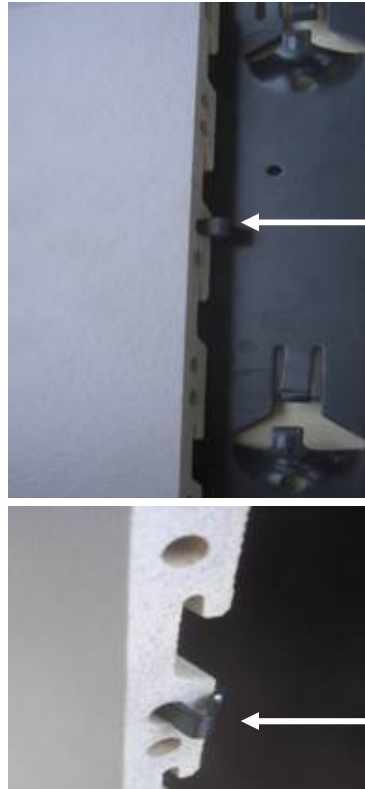


# Installation K20

clip in the joint profile



without joint profile use spacer!



hang on panels



# Installation K20

installation details



slide panel in the lips of the clamp



install always a couple of panels



drill the holes in the joint ...  
(screws)



... and fix it with rivets(or



# Installation K20

## replace a panel

Lift up 2mm metal piece in horiz. joint and take out the panel. (may be the panel above has to be lift up,too)



start hang on panel from top groove and slide down

