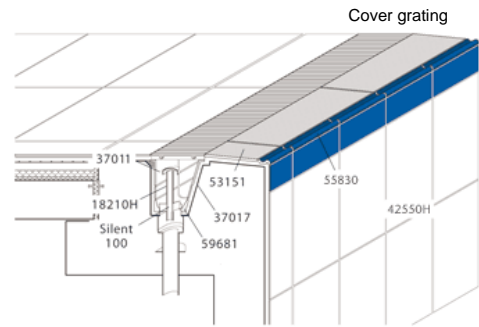


Pool Edge Systems

System Finland II

Sloping, beach-like pool edge with handhold-piece; covered channel with coved gutter tile and outlet valve SILENT 100. Especially suitable for sports and competition pools.

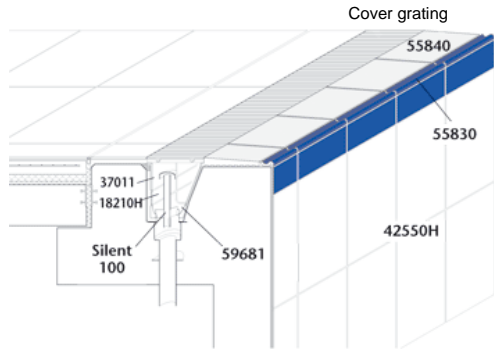
42550H = Chroma II-tile
 18210H = Chroma II-strip tile
 37011 = Shank-tile grooved
 37017 = Inclined shank-tile
 53151 = Grooved tile
 55830 = Handhold-piece
 59681 = Coved gutter tile with outlet
 Cover grating
 Outlet valve Silent 100



System Finland II

Sloping, beach-like pool edge with handhold-piece and inclined grooved tile; covered channel with coved gutter tile and outlet valve SILENT 100. Especially suitable for sports and competition pools.

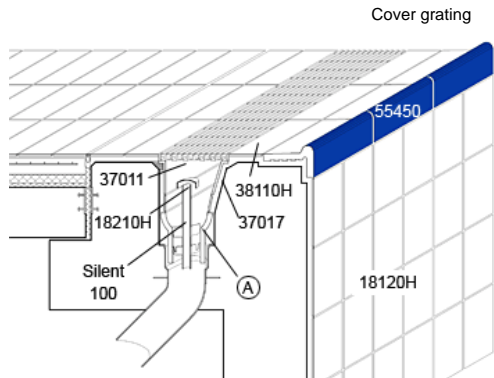
42550H = Chroma II-tile
 18210H = Chroma II-strip tile
 37011 = Shank-tile grooved
 55840 = Inclined grooved tile
 55830 = Handhold-piece
 59681 = Coved gutter tile with outlet
 Cover grating
 Outlet valve Silent 100



System Zürich

Elevated overflow edge as an ideal handhold; covered channel with coved gutter tile and outlet valve SILENT 100.
 For public pools.

18120H = Chroma II-tile
 18210H = Chroma II-strip tile
 37011 = Shank-tile grooved
 37017 = Inclined shank-tile
 38110H = Chroma II non-slip
 55450 = Pool edging tile
 Cover grating
 Outlet valve Silent 100
 A = 59681 Coved gutter tile with outlet



System Berlin

Elevated overflow edge as an ideal handhold; covered channel with "smooth" water inflow.
 For public pools and renovations.

18120H = Chroma II-tile
 18210H = Chroma II-strip tile
 37011 = Shank-tile grooved
 55800 = Pool edging tile
 59680 = Coved gutter tile
 Cover grating

