

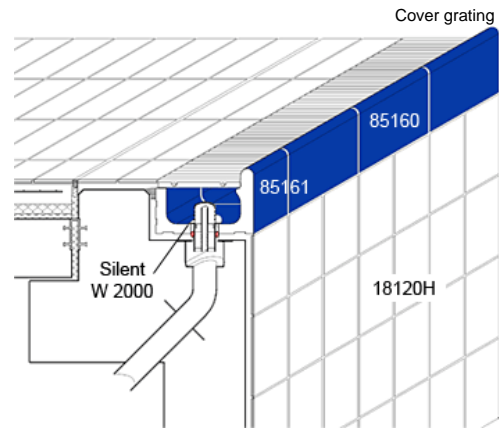
Pool Edge Systems

System Wiesbaden, elevated water level

Large overflow channel with handhold-piece, cover grating and outlet valve SILENT W 2000.

Suitable for diverse types of pools.

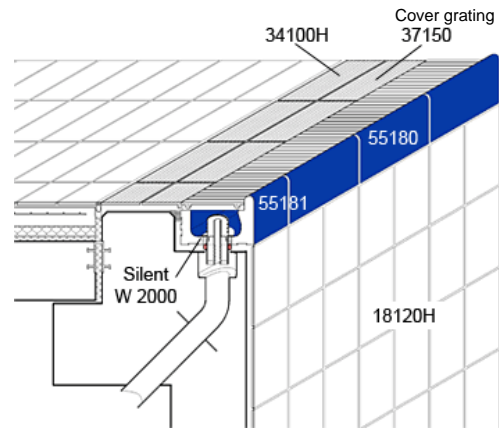
- 18120H = Chroma II-tile
- 85160 = Overflow channel
- 85161 = Overflow channel without outlet
- Cover grating
- Outlet valve Silent W 2000



System Wiesbaden, elevated water level

Small overflow channel with handhold-piece, cover grating and outlet valve SILENT W 2000.

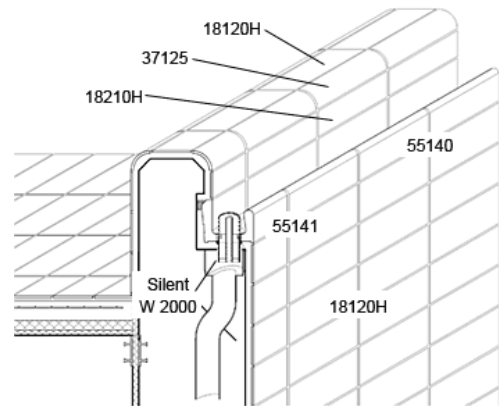
- 18120H = Chroma II-tile
- 55180 = Overflow channel
- 55181 = Overflow channel with outlet
- 34100H = Grooved tile
- 37150 = Shank-tile grooved
- Cover grating
- Outlet valve Silent W 2000



System Wiesbaden, decreased water level

Small overflow channel (without cover grating) with outlet valve SILENT W 2000. For therapy pools.

- 18120H = Chroma II-tile
- 18210H = Chroma II-strip tile
- 37125 = Profiled edging
- 55140 = Overflow channel
- 55141 = Overflow channel with outlet
- Outlet valve Silent W 2000



System Skimmer

with pool edging tile Residence

- 7160H = Chroma II-mosaic
- 55520 = Pool edging tile Residence

